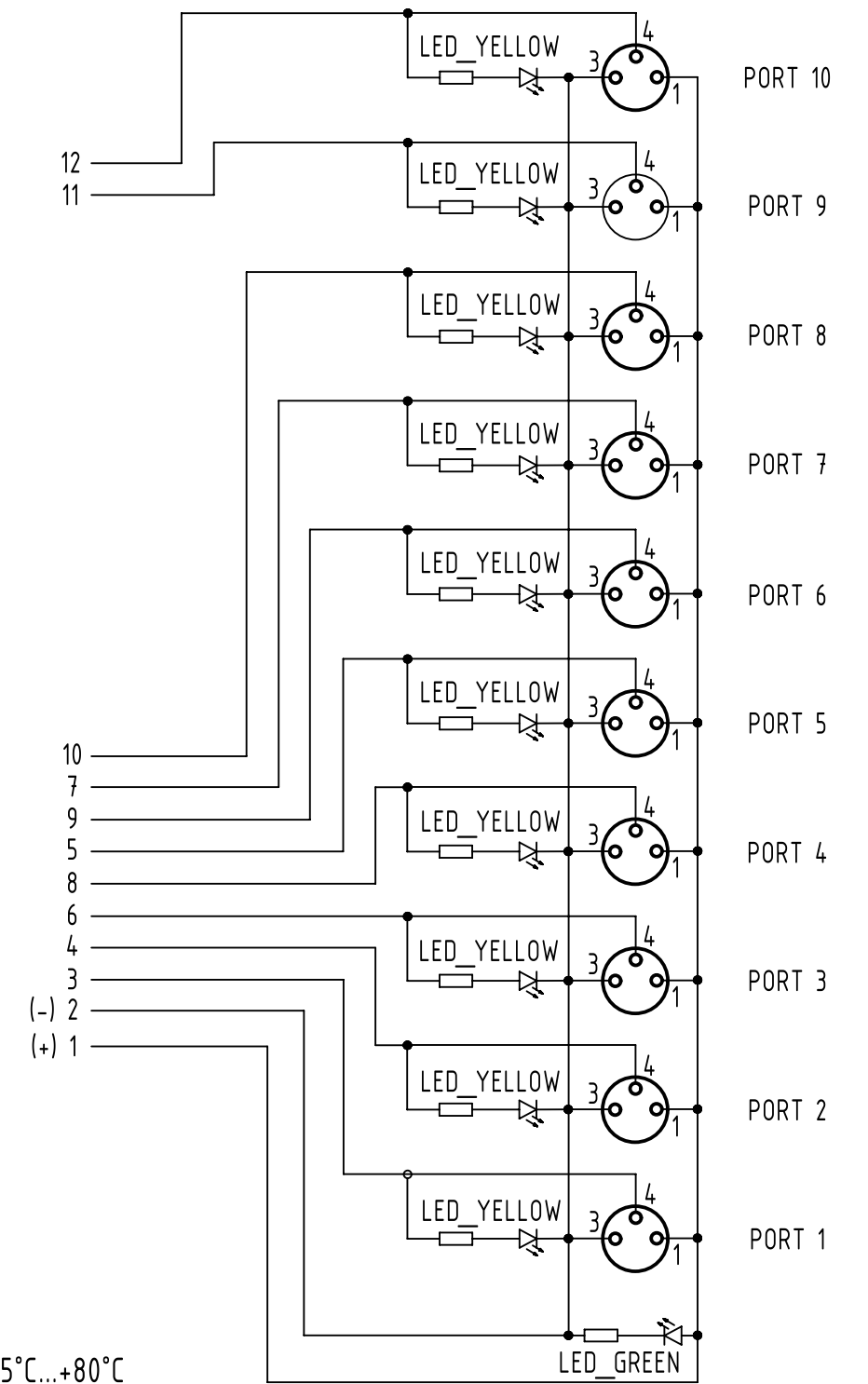


Electrical data:
 -Rated voltage: 15-30V DC
 -Nominal: 2 A per Contact
 -Current: 6 A max total

Loading plan



- Protection level: IP 67
 - Temperature range: -25°C...+80°C

All Dimensions in mm		Tech. Character.		Free size tol.		According to production drawing	
All rights reserved Department HCS - RO		Created by MUNTEANV	Inspected by POPESCU	Standardisation AVRAM	Date 2017-04-24	State Final Release	
HARTING Customised Solutions D-32427 Minden		Title har-SAB M8/10/3p M12/12p				Doc-Key / ECM-Nr. 100689692/UGD/000/B 500000118447	
		Type TB	Number 090700630100			Rev. B	Page 1/1